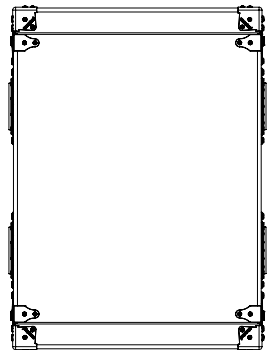
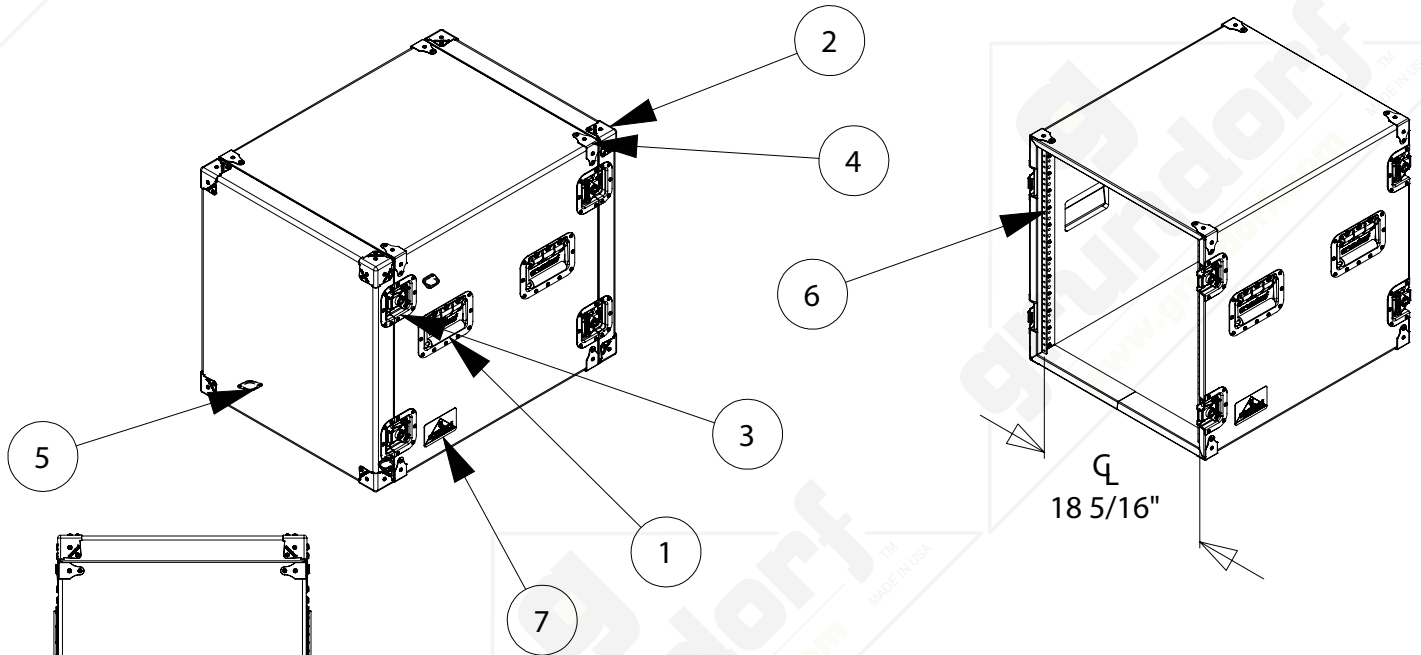
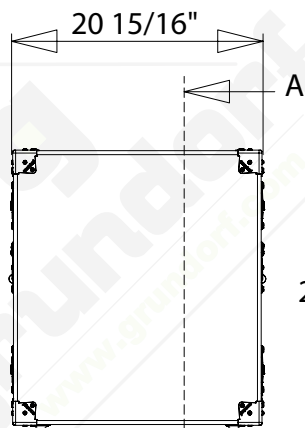


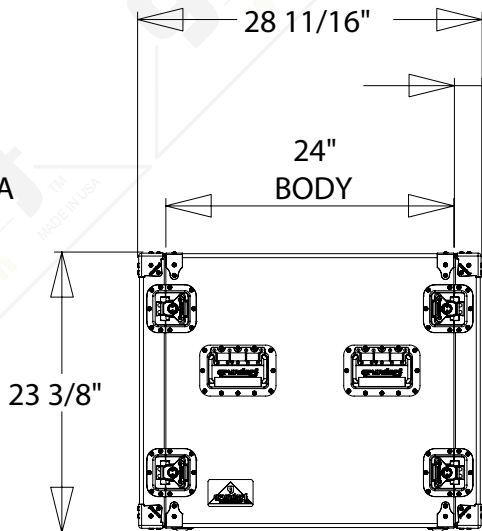
#	QTY	PART NUMBER	DESCRIPTION
1	4	31-005	HANDLE - RECESSED/LOGO/ZINC
2	8	32-011	CORNER-LARGE SQUARE/ZINC
3	8	34-012	CATCH - RECESSED W/LOGO/ZINC
4	8	35-005	CLAMP - LARGE 4 HOLE/RIV/ZINC
5	4	40-003	FOOT - METAL, ZINC
6	2	41-012	RACK RAIL-12 SPACE
7	1	83-008	BADGE - GRUNDORF



Top View

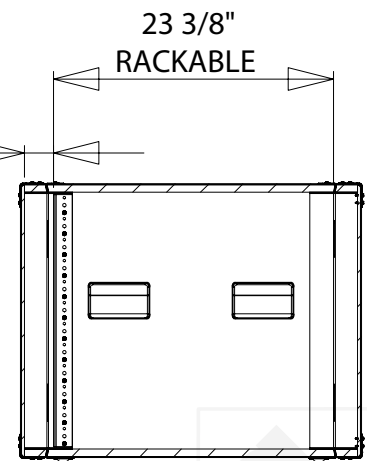


Front View



Side View

28 11/16"
2 5/16"
LIDS
2 7/16"
FRONT OF RAIL
CLEARANCE



SECTION A-A